

# WOODEN DECKCHAIR

## ~ CARE GUIDE ~

This guide is designed to help you care for your deckchair looking as beautiful as possible, for as long as possible. For us, these are the key things.

### 1. Storage

When not in use, ideally store your chair inside, in a dry, ventilated location. Folding the deckchairs flat is really easy, but can be quite tricky at first. To help, keep the deckchair in the seated position, stand behind it and you should see a South Westerly Logo engraved into the wood at the bottom of the deckchair. Now, take this and the supporting frame and raise it so it is brought up to the top of the chair. You should now have two supporting pieces of frame at the top, and one at the bottom and your chair should be flat. When not in use store in a dry, ventilated place out of direct sunlight and make sure the sling is completely dry.

### 2. Maintenance

The wood of the garden deckchair is a very hard wearing, sustainably sourced Beech hard wood. We have found that adding an oil to the wood every year or two enhances the frame. If your garden deckchair has suffered from a few scratches, a light sand and then application of wood oil will give your deck chair a new lease of life. All of our deckchair slings are a 12oz Cotton Canvas dyed using environmentally friendly azo free water based inks which are UV resistant with an approx. 10% fade tolerance (in normal use) and machine washable.

### 3. Cleaning

Should you wish to remove the deckchair sling and either wash, or store in a dry place over winter, position your deckchair in the seated position. Looking at it face on, head to the left hand side. You will find screws at the top and bottom of the base of the deckchair. Simply unscrew, prise apart the frame and slip the deck chair sling off. Remember that if the chair has been in damp conditions for a while, the wood may have expanded, meaning that pulling the chair apart is more difficult. Simply keep in a dry, ventilated place for a few days before dismantling.

**IMPORTANT! RETAIN THESE INSTRUCTIONS FOR FUTURE REFERENCE**



### Warnings

Before using this deckchair follow these instructions carefully for assembly, safety and care information.

Failure to follow the warnings could result in serious injury. Ensure that this product is fully assembled as illustrated before used.

This product should only be used on firm, level ground. Keep hands away from folding mechanisms to prevent possible entrapment or injury.

This item is intended for max use 120 kgs, do not exceed this weight.



For more information and to see our full range of products, including personalised gifts for that extra special someone, check out our websites:

[southwesterlydeckchair.com](http://southwesterlydeckchair.com)  
[deckchairshop.co.uk](http://deckchairshop.co.uk)

**SOUTH WESTERLY**  
DECKCHAIRS | PARASOLS  
WINDBREAKS | FURNITURE

**DECKCHAIR SHOP**  
BY SOUTH WESTERLY

Unit 2 St Austell Business Park  
Carclaze, St Austell, Cornwall PL25 4FD UK

South Westerly +44(0)1726 75559  
E: [info@southwesterlydeckchair.com](mailto:info@southwesterlydeckchair.com)

Deckchair Shop +44(0)1726 982105  
[info@deckchairshop.co.uk](mailto:info@deckchairshop.co.uk)

**SOUTH WESTERLY**  
DECKCHAIRS | PARASOLS  
WINDBREAKS | FURNITURE

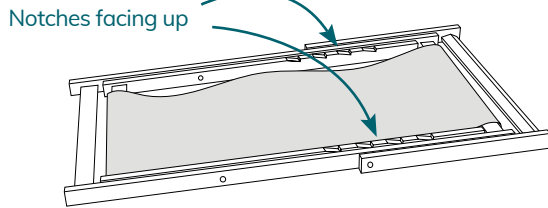


SAFE HANDLING, ERECTING  
AND CARE GUIDE FOR  
YOUR DECKCHAIR

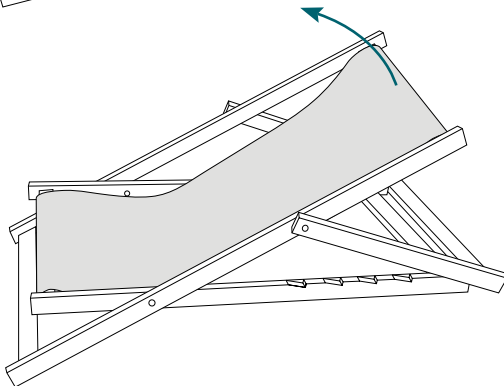
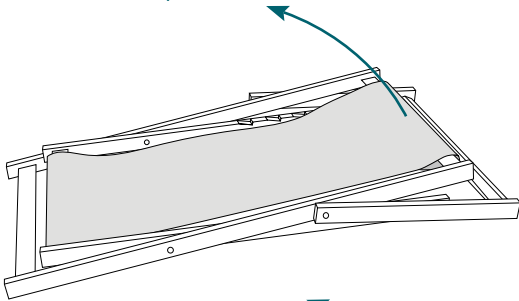
**DECKCHAIR SHOP**  
BY SOUTH WESTERLY

When carrying the deckchair hold the frame together at the top and keep it close to the body

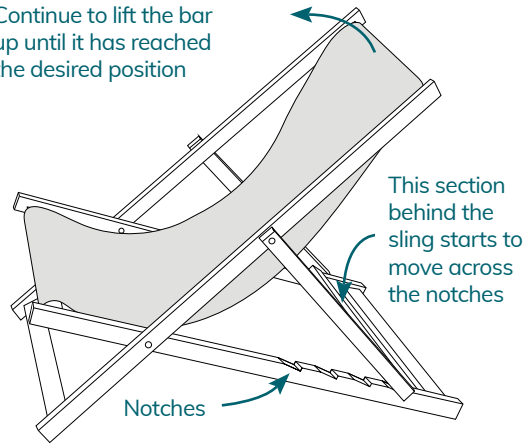
- 1 Lay the deckchair flat on the floor with the notches facing upwards



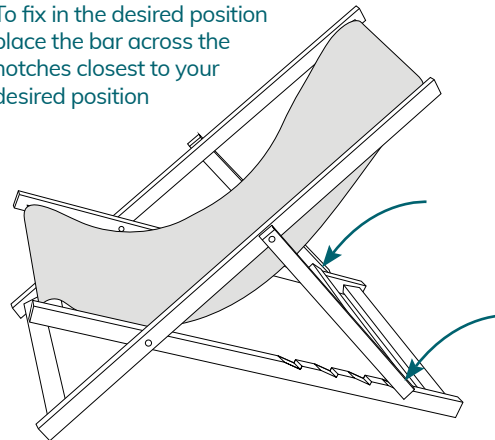
- 2 Hold the top bar with the fabric and lift up



- 3 Continue to lift the bar up until it has reached the desired position



- 4 To fix in the desired position place the bar across the notches closest to your desired position

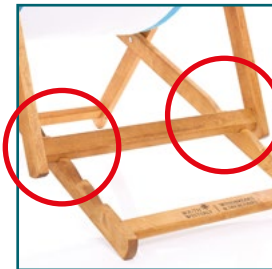


### IMPORTANT!

Ensure the horizontal bar beneath the sling is fitted correctly in the parallel notches to stop it collapsing

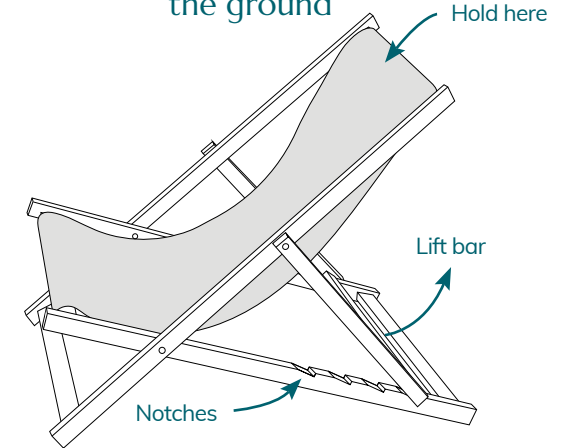


Bar fits snugly into the notches



Bar secured into the notches on both sides

To lower the chair, lift the bar from the notches and gently lower the chair to the ground



### REMOVING THE SLING

To remove the cotton canvas sling, position your chair in the seated position and face the seat. On the left side of the frame, you will find screws at the top and bottom of the base – simply unscrew here and slip the sling off its bar.



**NB** If you have difficulty pulling the chair apart after removing the screws, leave somewhere dry and well ventilated for a few days.